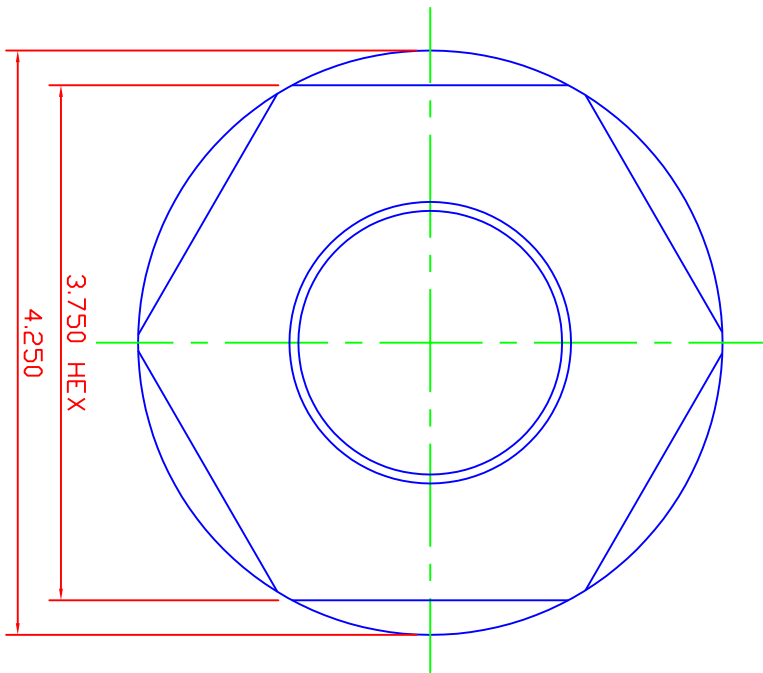
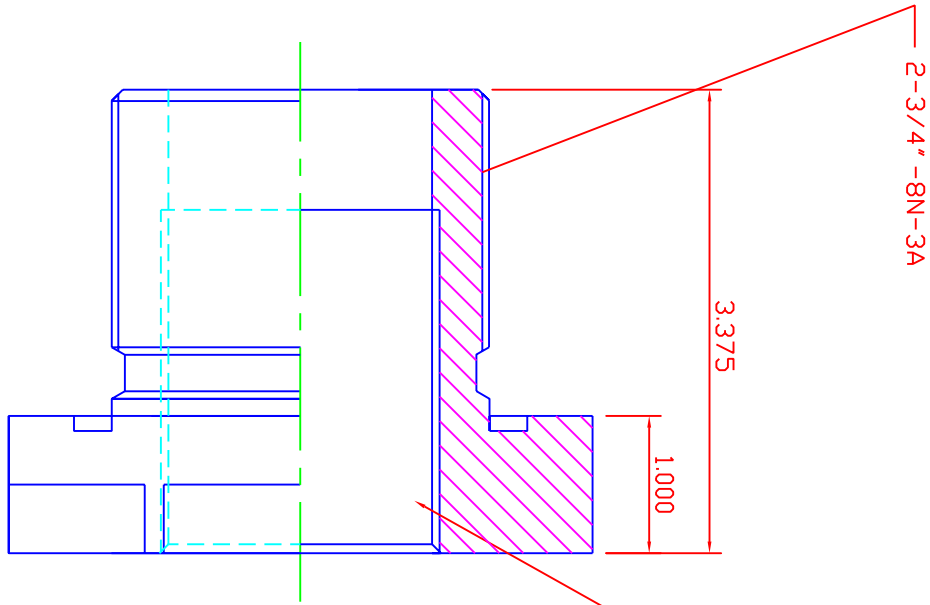


BULLPLUG DESCRIPTION	9146-105 PART NO.
10-5-95 DATE	1040 C. S. MATERIAL



9146-105

DRAWING NO.

WESTERN VALVE

114 E. 46th Amarillo, Texas 79105 P. O. Box 2446 806-373-6811 fax 806-373-5971